



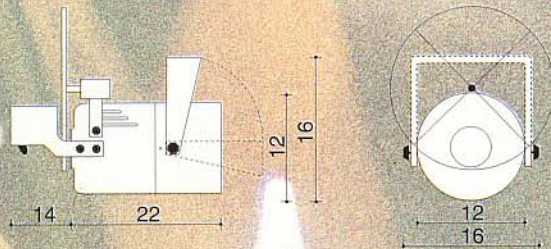
BABY STAR™

Light weight, palm size, it's a moonflower effect available in two versions:

• **BABY STAR code W200**
with rotating light beams

• **BABY STAR SOUND code W202**
with sound active light
beams thanks to its circuit board with adjustable audio trig.

The Baby Star is supplied with four colored filters



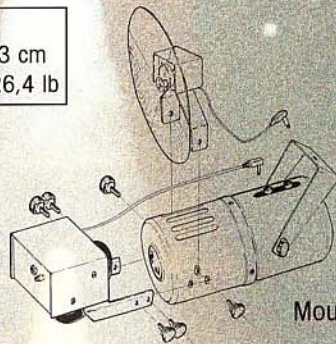
Size in cm.

Weight: 2.4 kg - 5.25 lb

Weight with accessories: 3.7 kg - 8.2 lb

Shipping details

box size (4pcs) 40x33x33 cm
weight 12 kg - 26,4 lb



Mounting example

Safety devices

- Manufactured to CE norms
- CEI 20/22 power cable
- Protection Range: IP 20

Construction

- Metal body with black powder finish
- Mounted with adjustable steel bracket
- Easy lamp access

Technical features

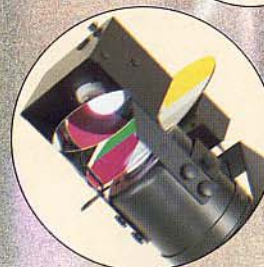
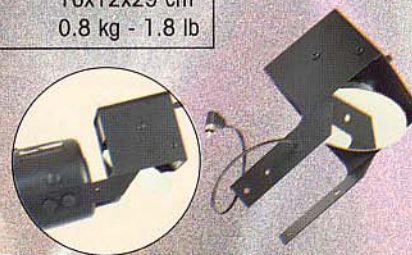
- High precision gear motor
- High quality lens
- Lamp: 12V 50W HLX 64610 Osram lamp installed
- Power Supply: 117V - 220/240V 50/60Hz

Optional Accessories

- **Scanner code W300**
suond active mirror

Shipping details

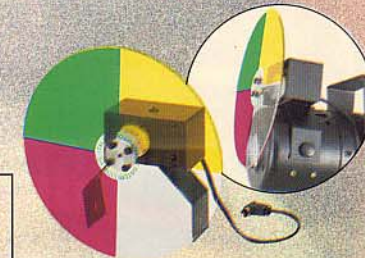
box size 16x12x29 cm
weight 0.8 kg - 1.8 lb



- **Colorchanger code W305**
motorized colorchanger

Shipping details

box size 23x11x24 cm
weight 0.5 kg - 1.1 lb



ACCESSORIES MOUNTING EXAMPLE FOR *baby star* AND *STING*

cod. W305
COLOURCHANGER

cod. W300
SCANNER

